

NOTES:

NOT RECOMMENDED FOR SINGLE STUD MOUNTING

MAX SCREEN MOUNTING PATTERN  
20.7" (525.8 mm) WIDE X 31.5" (800.1 mm) HIGH

MIN SCREEN MOUNTING PATTERN WIDTH 7.874" (200 mm)

MAX SCREEN SCREW SIZE 8 mm

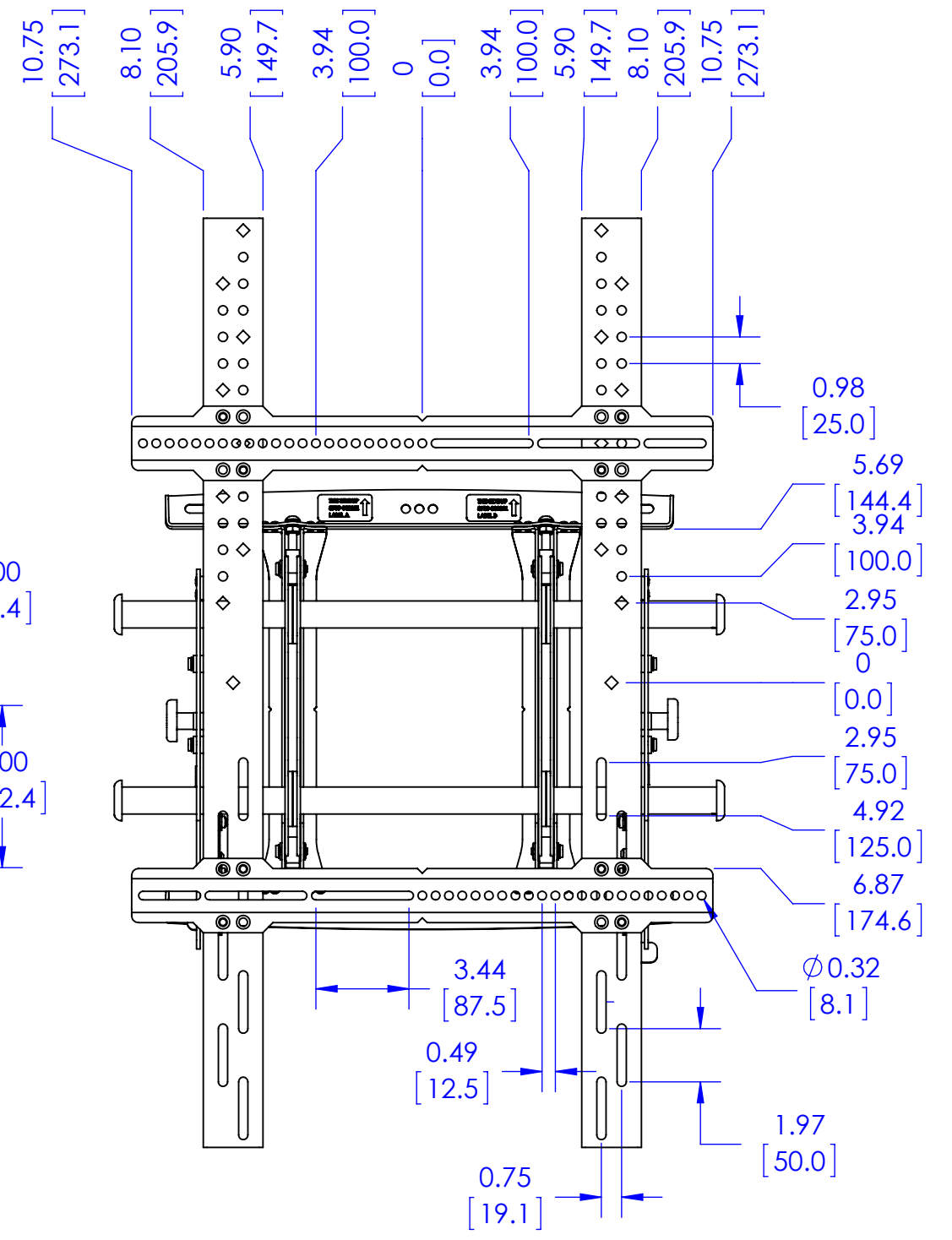
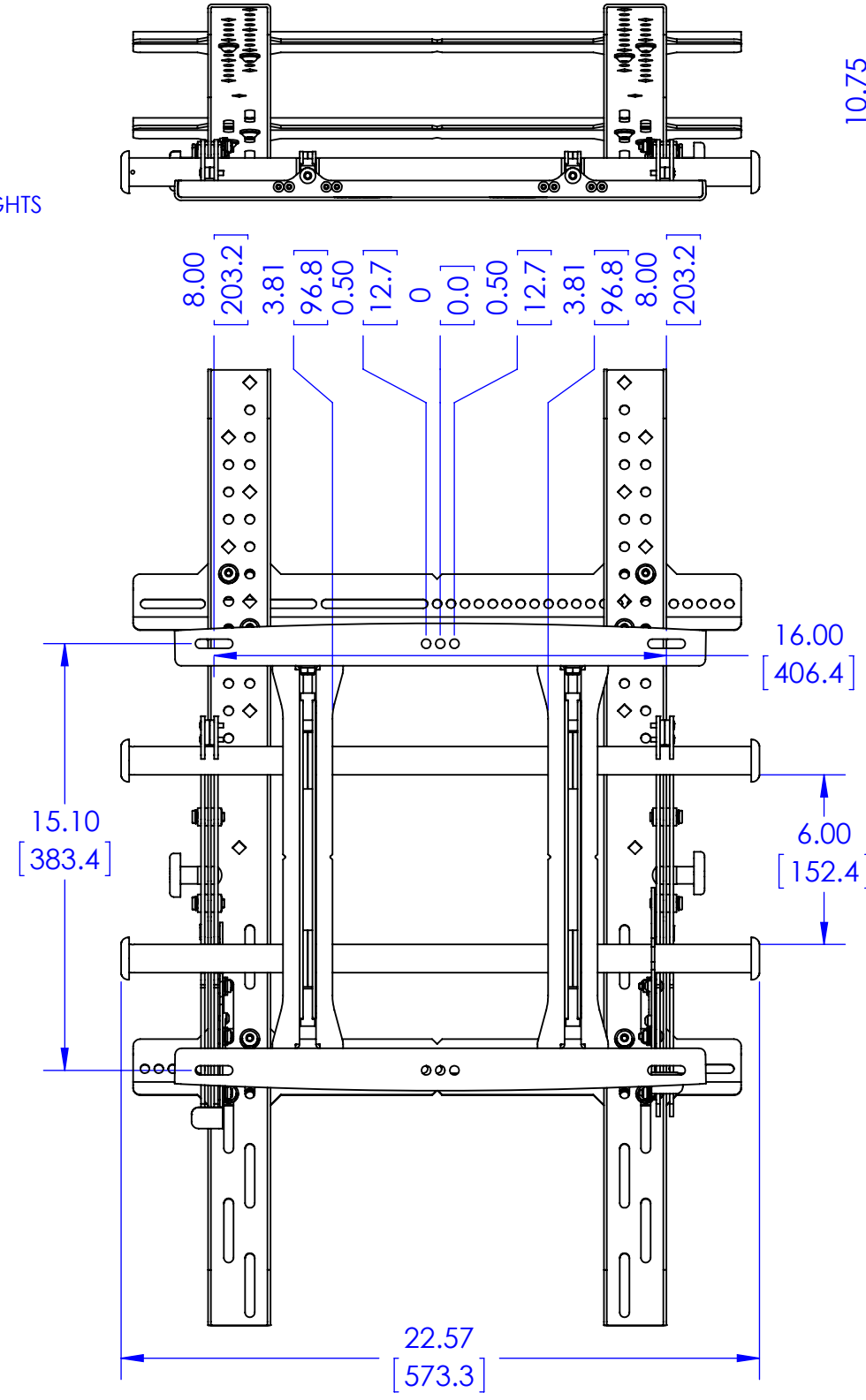
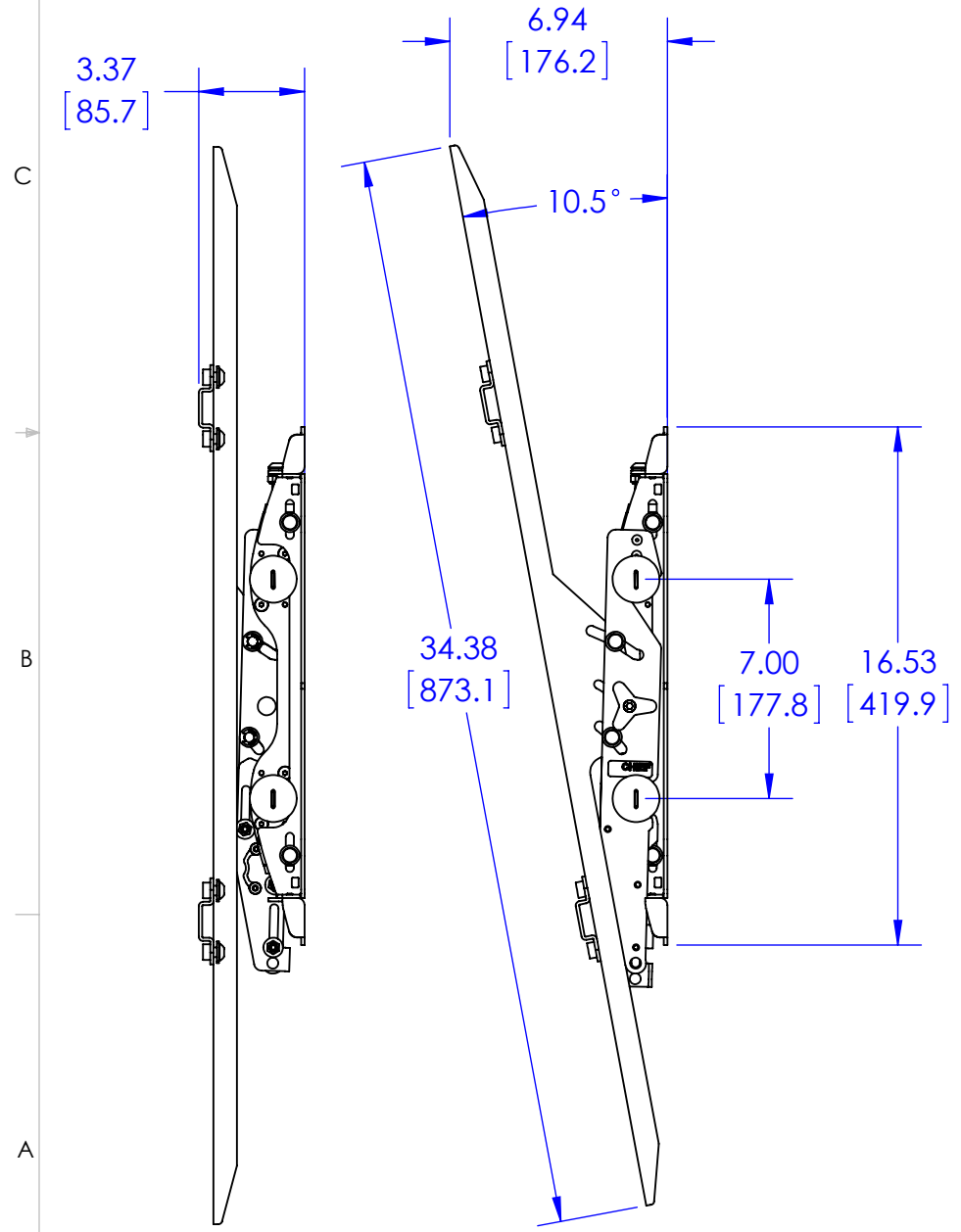
MAX MOUNTING PATTERN IS 21.6" (548.6 mm) WITHOUT REVERSING UPRIGHTS  
MAX MOUNTING PATTERN IS 26.2" (665.5 mm) WITH REVERSING UPRIGHTS

FOR RECESSED APPLICATIONS, MINIMUM VERTICAL LIFT FOR HOOK  
ENGAGEMENT IS .42" (10.7 mm)

RAILS CAN BE SLID LEFT OR RIGHT FOR OFFSET APPLICATIONS  
MOUNT IS 1.99" (50.5 mm) DEEP WHEN FLAT TO THE WALL

STATUS: PLL 03/15/2013 - RELEASED ON ECO: 500007571

TECH-000329



THE INFORMATION AND DESIGNS CONTAINED IN THIS DRAWING ARE CONFIDENTIAL AND THE PROPRIETARY PROPERTY OF MILESTONE AV TECHNOLOGIES NEITHER THIS DESIGN NOR ANY INFORMATION CONTAINED IN THIS DRAWING MAY BE REPRODUCED OR DISCLOSED TO OTHERS WITHOUT THE EXPRESS WRITTEN CONSENT OF MILESTONE AV TECHNOLOGIES.

CAD GENERATED DRAWING, DO NOT MANUALLY UPDATE.		<b>CHIEF</b>	6436 CITY WEST PKWY EDEN PRAIRIE MN, 55344 PHONE: 866-977-3901 FAX: 877-894-6918	
DRAWN BY	PLL 3/13/2013		DESCRIPTION	LTMPU
ENG APPROVAL		MODEL NO.	LTMPU	
MFG APPROVAL		SIZE	DWG. NO.	
QA APPROVAL		B	TECH-000329	
SHEET 1 OF 1		SCALE	REV.	
		1:1	00	